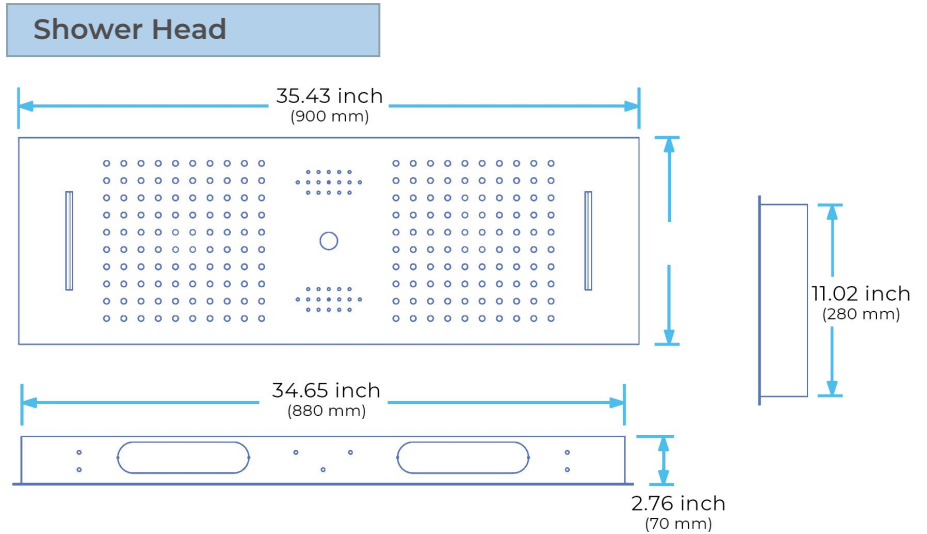


# REMOTE CONTROLLED GOLD THERMOSTATIC LED MUSICAL RAINFALL SHOWER SYSTEM WITH HAND SHOWER SPECIFICATIONS



- Shower Panel /Hose Material: 304 Stainless Steel
- Shower Head Size: 900\*300 mm
- Shower Mixer Material: Brass
- Concealed Mixer Size: 465\*130 mm
- Showerheads Install: Embedded Ceiling Mounted
- Concealed Mixer Install: Wall-Mounted
- LED Shower Head Functions: Rainfall, Waterfall, Water Column
- Water Pressure: 0.3 MPA
- Water Flow: 16L/min~28L/min
- Hand Shower/ Shower holder Material: Brass
- Shower Accessories Material: Brass
- LED Light: Need to Connect Power
- LED Light Color: 64 Color
- Shower Hose Length: 1.5M
- AC: 100-265V 50/60Hz

Product shown is only for installation display purpose

**304 Stainless Steel**

Waterfall×2  
Water Column  
Speaker×2  
Rain  
Brushed Gold  
LED Strip

『 900×300mm 』  
Net Weight: 18kg

**Water Pressure: 0.3-0.5MPA**  
**Shower Flow Rate: 16-28L/min**

**64**  
Kinds of color temperature adjustable

**Remote control color**

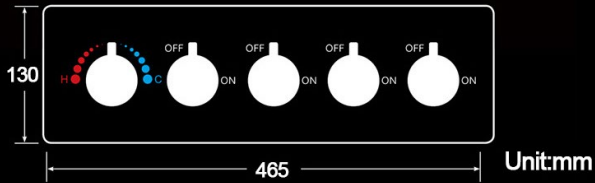
- 1: Turn ON/OFF
- 2: Color Touch Ring
- 3: Mode Switch
- 4/8: Dynamic Speed adjusting
- 5: Mode Switch
- 6: Color Temperature adjusting
- 7/9: Dynamic Brightness adjusting

All dimensions and specifications are nominal and may vary. Use actual products for accuracy in critical situations.

## Shower Mixer

All functions can be used at the same time.

Spin button change water flow size.

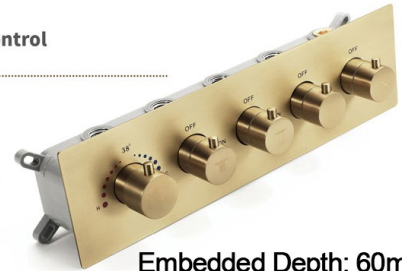


Thread have G 1/2" and NPT 1/2"



**38°C**  
Thermostatic Control

Main body  
Brass casting body

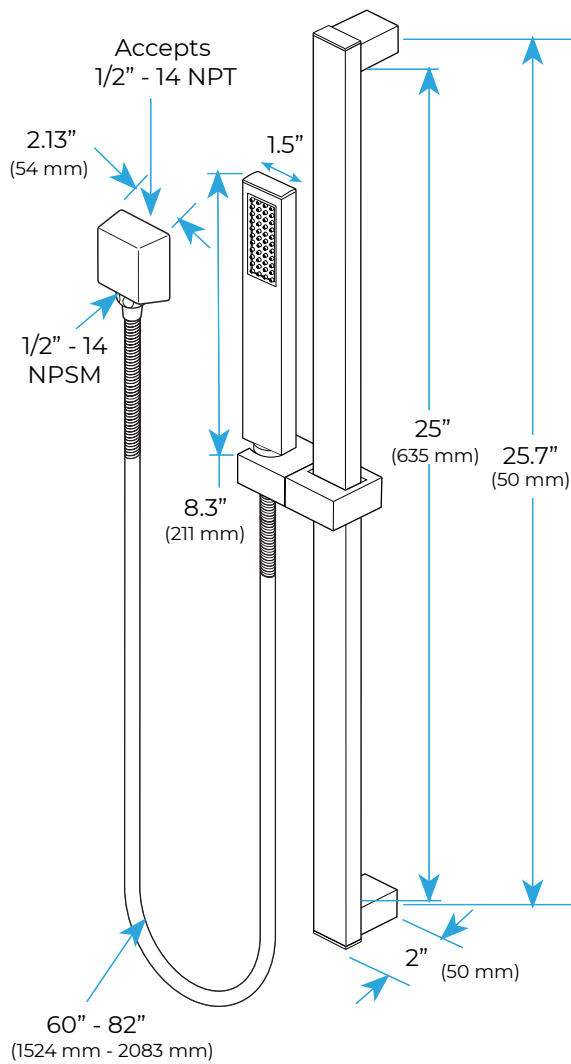


Embedded Depth: 60mm

Brushed gold



## Hand Shower



## Shower Mixer Connections

